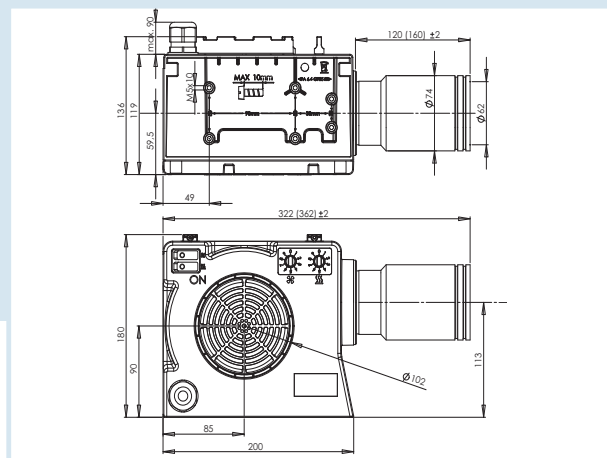


Hot Air Blower

Compact



Technical data

Item No.		5102586	5102602	5102581	5102605
Voltage	VAC	230	230	230	1 x 400–440
Capacity	Kw	2,3	3,1	3,7	4,7–5,6
Frequency	Hz	50/60	50/60	50/60	50/60
Max. temperature	°C	650	800	650	650
Min. air flow	l/min	120	120	120	120
Max. air flow at 20 °C	l/min	930	650	930	960
Max. temperature by max. air flow	°C	260	520	440	480
Static pressure	Pa	450	450	450	450
Air outlet	Ø mm	62	62	62	62
Measurements	mm (l x w x h)	322 x 138 x 180	360 x 138 x 180	322 x 138 x 180	360 x 138 x 180
Weight incl. cable	kg	2,8	3,1	2,8	3,1
Protection category II		□			
Conformity marking		CE			

Standard equipment

- Variable temperature setting
- Variable air-flow setting
- Main switch that can be locked separately for heating and fan
- Integrated tool protection

Special version

- External controller for heat (analog or digital)
- External controller for air flow (analog or digital)
- Analysis of motor speed
- Integrated thermocouple
- Integrated digital controller

Accessories

Item No.	Description
5107245	Round nozzle 40 mm
5107246	Connection flange
5107259	Wide slot nozzle 150 x 12 mm
5107260	Wide slot nozzle 85 x 15 mm
5107262	Wide slot nozzle 300 x 4 mm
5106177	Reflector 50 x 400 mm
5107248	Stainless steel filter
5107247	Extension tube 200 x 40 mm

Special accessories and external control are available on request! Equipment with different voltage and power are available on request.

Subject to technical changes.